

## Ceiling connector S 30 cm

Surfaces: **Chrome** Article Number: **27389000**



### Description

#### product features

- length: 300 mm
- shaft  $\varnothing$ : 27 mm
- installation type: exposed installation
- material: brass
- connection thread G  $\frac{1}{2}$
- connection dimension DN15

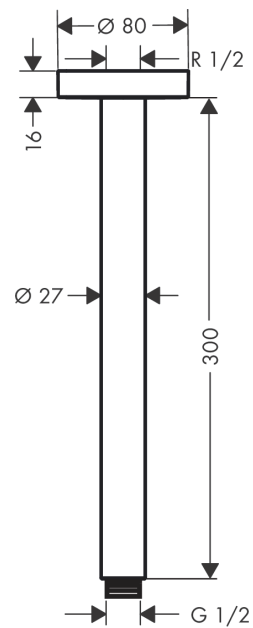
### Design awards



### Product image



### Scale drawing



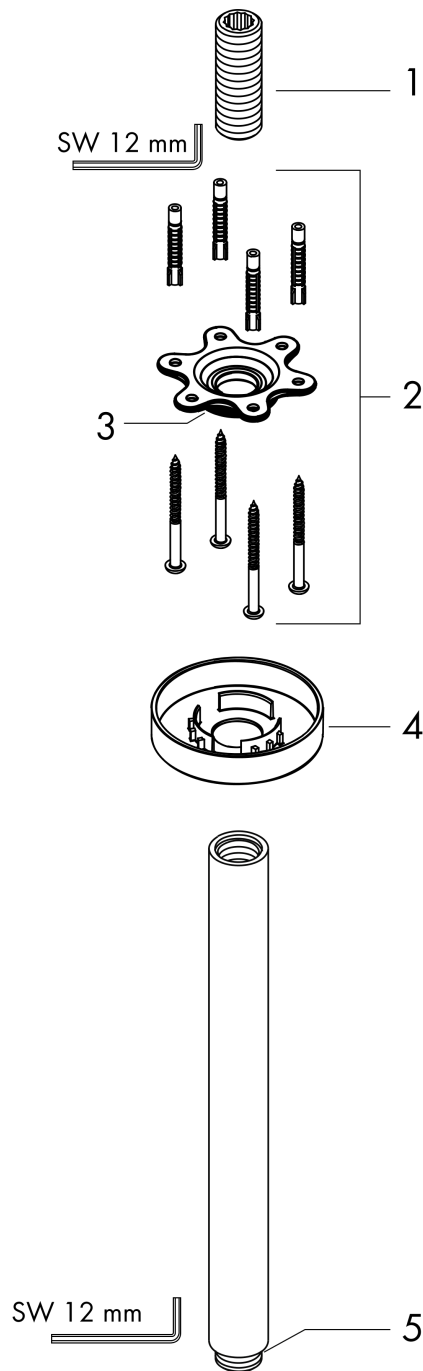
**Ceiling connector S 30 cm**

Surfaces: **Chrome** Article Number: **27389000**



**Exploded Drawing**

Year of production: >12/20



**Ceiling connector S 30 cm**

Surfaces: **Chrome** Article Number: **27389000**



**Spare part list**

Year of production: >12/20

| <b>Pos.</b> | <b>Description</b> | <b>Article Number</b> | <b>Price</b> | <b>PU</b> |
|-------------|--------------------|-----------------------|--------------|-----------|
| 1           | connecting thread  | 95188000              | -            | 1         |
| 2           | mounting kit       | 95208000              | -            | 1         |
| 3           | O-ring 34x2        | 98383000              | -            | 1         |
| 4           | escutcheon Ø 80 mm | 92122000              | -            | 1         |
| 5           | O-ring 16x2        | 98133000              | -            | 1         |